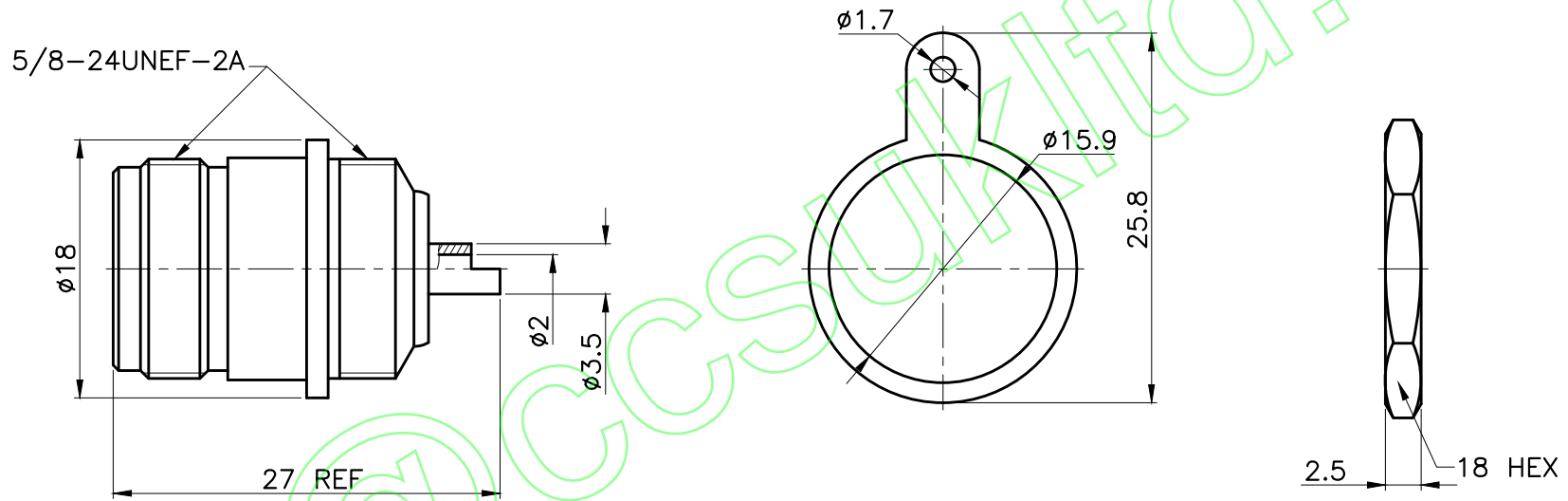


REVISIONS	
ISS	DESCRIPTION \ DATE

RoHS COMPLIANT



CONNECTORS CABLES



SPECIALISTS LTD.

TITLE: N FEMALE SOLDER TYPE BULKHEAD		APRD:	UNLESS OTHERWISE SPECIFIED TOLERANCES 0.5-6 = ±0.2 >6-30 = ±0.4 >30-120 = ±0.6 >120-315 = ±1 >315-1000 = ±1.6 ANGLES = ±5°			
PART NO: NBJSS50STRM		CHKD:		NUT	BRASS	NICKEL
DRAWING NO: 030		DR:		TAG	STEEL	NICKEL
DATE: 09/13/06"		UNIT: mm	CONTACT PIN	BRASS	GOLD	
SHEET: .		SCALE: 2/1	INSULATOR	TEFLON	WHITE	
			BODY	BRASS	NICKEL	
			NO. DESCRIPTION	MATERIAL	FINISH	